

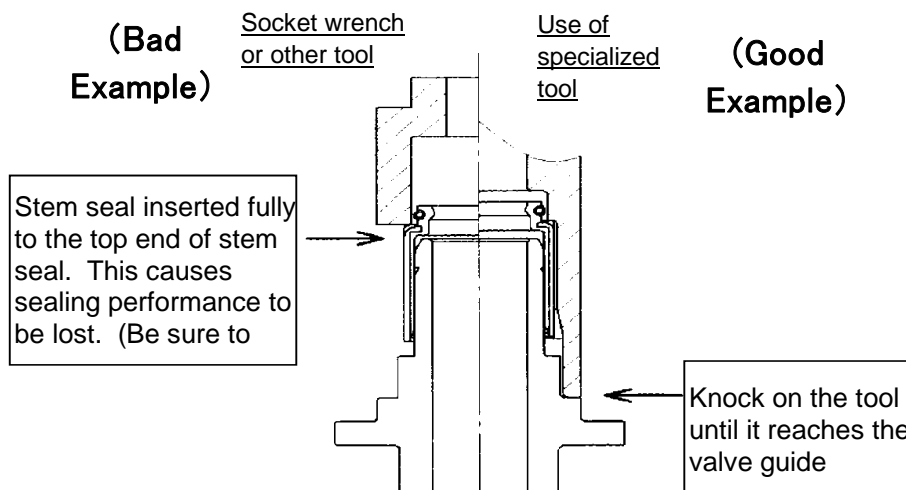
YE SERVICE NEWS

Subject	Intake/Exhaust Valve Stem Seal Insertion Tool	No. :YEN-CM-21853 Date :10th NOV 2016
Engine Model	See text below	Use
		Engine No.

The stem seal installed to the intake/exhaust valve guide, unless installed to the correct position, cannot display its performance, (prevention of gas seal and stem corrosion and sticking). This will cause abnormal wear of valve seat and increased lube oil consumption.

We prepare the specialized stem seal insertion tool for use with each engine model. Be sure to use the tool specified for each model whenever replacing the stem seal. For use, hold the tool straight and knock it by the middle. If not, the stem seal can be installed diagonally.

No.	Engine Model	Part No.
①	6NY16、6N165、6NB165、6RY17、S165 6・8・12・16NHL	133614-92050
②	6EY17	140695-92050
③	6N18、6・8N21、M200、S185、6EY18	146674-92050
④	6EY22	150633-92050
⑤	M220	147644-92060
⑥	T220、T240	150623-92050
⑦	T260	151623-92340
⑧	T260(w/valve box)	151623-92330
⑨	6N260	151605-92160
⑩	6・8EY26	151695-93200
⑪	6・8N280、Z280、8Z280	153605-92330
⑫	6・8N330(w/Roth mat)	132654-92170
⑬	6N330 excepting GW, GV (before E/#0362)	132654-92160
⑭	6N330 GW、GV (after E/#0379)	132859-92160
⑮	8N330 GW (excepted) GV (before E/#0166)	132654-92160
⑯	8N330 GW、GV (after E/#0171)	132859-92160
⑰	6・8EY33	132673-92120



YANMAR ENGINEERING CO.,LTD
Market Service Division

Approved	Checked	Prepared
Y.tai	N.fujii	Y.miura